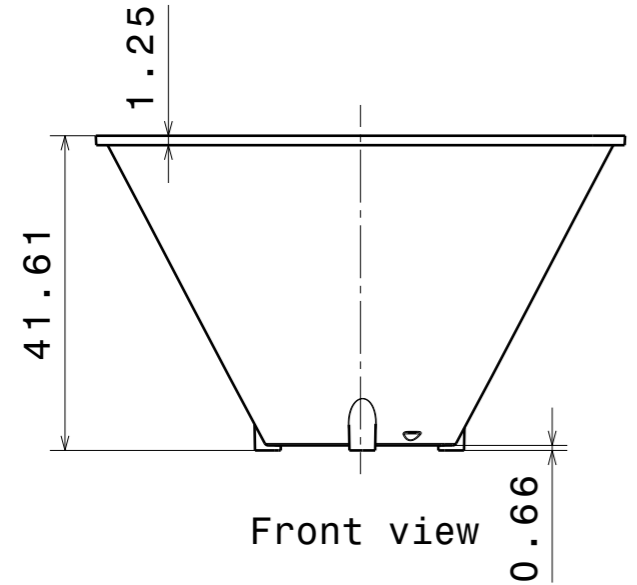
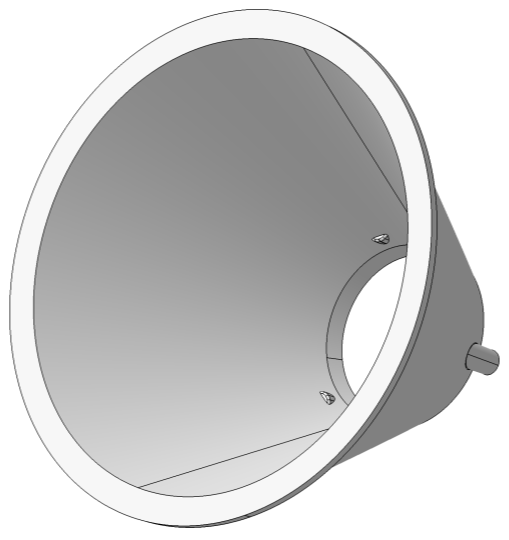


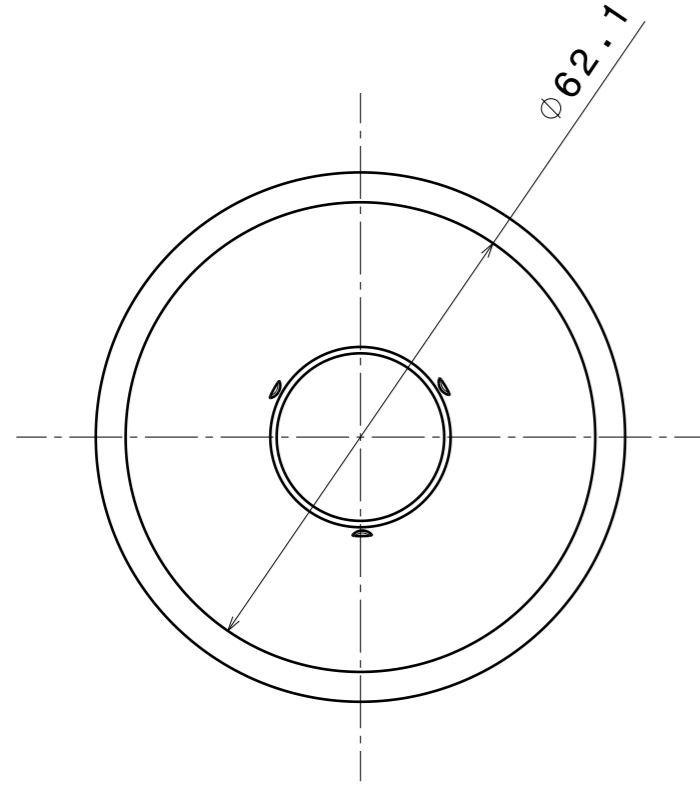
H G F E D C B A



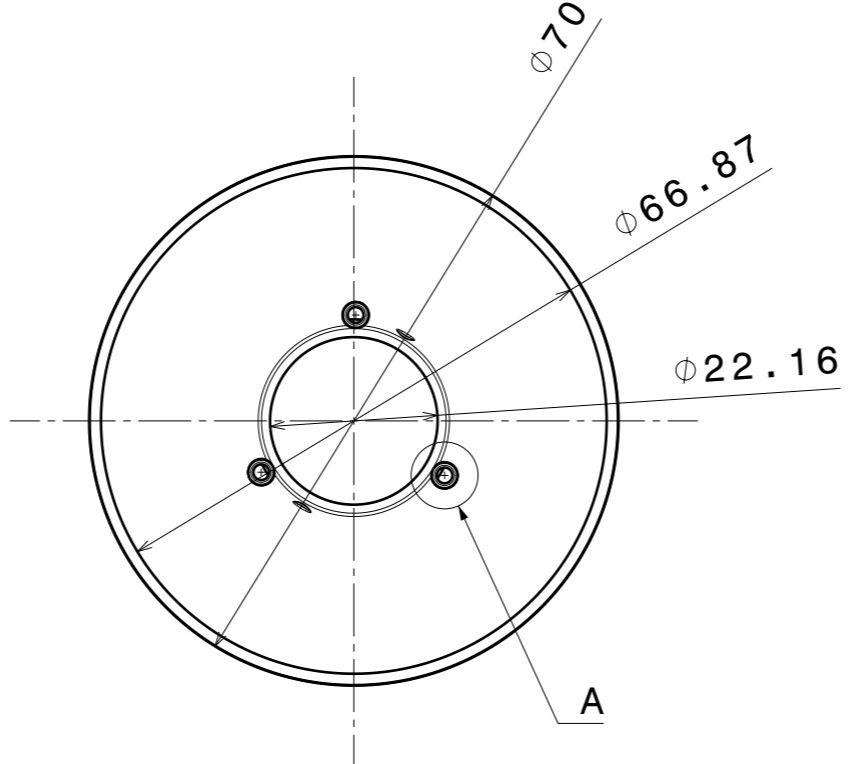
Front view



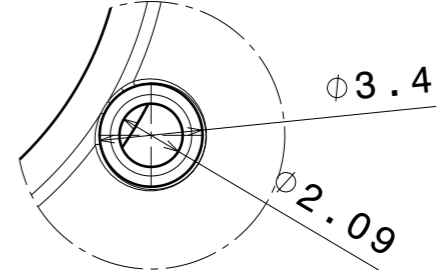
Isometric view



Top view



Bottom view



Detail A
Scale: 4:1

This drawing applies to:
 C13700_BARBARA-S-PF
 C13701_BARBARA-W-PF
 C13702_BARBARA-WW-PF
 C13703_BARBARA-XW-PF

Tolerances if not otherwise shown
 According to DIN ISO 2768-1
 Linear measures:
 Up to 30mm class M, otherwise class C.
 According to DIN ISO 2768-2
 Form and position: class L

LEDiL Ledil Oy
 Salorankatu 10
 FIN 24240 SALO
 Finland

THIRD ANGLE PROJECTION:

DRAWING TITLE
Datasheet_BARBARA-PF

This drawing is the property
 of LEDiL Oy. It may not be
 reproduced, copied or
 communicated without a written
 agreement with LEDiL Oy."

SIZE	PART NUMBER		
A3	-		

SCALE	1:1	WEIGHT	(g)	SHEET	1/1
-------	-----	--------	-----	-------	-----

H G B A